

SÜDMO NON-RETURN VALVES

RELIABLE PREVENTION OF BACKFLOW

PRODUCT INFORMATION



CHALLENGE

Do you have areas in your process plant where backflow of media must be prevented? If so, are looking for an easy to integrate, robust, durable and easy to maintain simple solution that doesn't require pneumatic actuation or automation? The component should be?

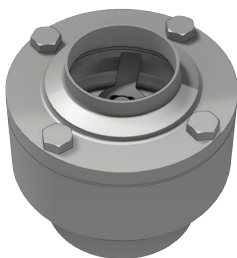
SOLUTION

Pentair Sudmo's Non-return Valves meet these exact requirements. The valves feature a hygienic design and use seal materials that conform to FDA requirements. Only O-rings with leak-proof grooves are used in the valves.

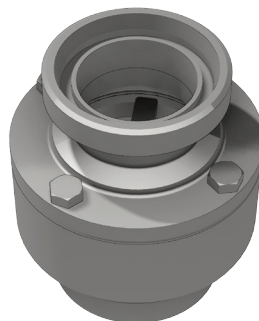
The minimum number of sealing elements in the product space, optimum valve plate guidance with outside pins and valve plate centering without additional guidance elements top off the Pentair Sudmo design. The design assures good running properties in flowthrough, long service life and easy maintenance.

BENEFITS

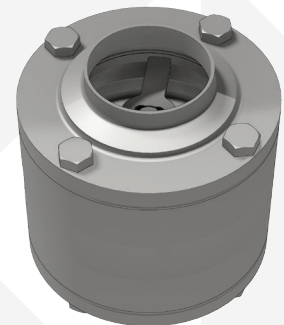
- Hygienic design for optimized cleanability
- Low set pressure of 0.04 bar (0.6 psi)
- Horizontal and vertical installation options
- Easy to remove from the pipe line
- No special tools required for service
- Very good CV values



TYPE P740
(male / welding end)



TYPE P741
(2 x male)



TYPE P750
(Sandwich style between small flanges design)

SÜDMO NON-RETURN VALVES

RELIABLE PREVENTION OF REFLOWS

PRODUCT INFORMATION

TECHNICAL SPECIFICATIONS

MATERIAL

Product contact area
1.4404 (AISI 316L)

Non-product contact area
1.4301 (AISI 304) / 1.4307 (AISI 304L)

Seals*

Elastomers: EPDM
Optional: FKM/HNBR

*All seal qualities are FDA-compliant

OPERATING TEMPERATURES

for EPDM seals
+ 130° C (266° F) continuous
+ 150° C (300° F) brief steam sterilization

PRESSURES

Product pressure
10 bar (145 psi)

Set pressure
0.04 bar (0.6 psi) differential pressure

Pressure (completely open)
0.08 bar (1.2 psi) differential pressure

SURFACES

Product contact Ra ≤ 0.8 µm
Non-product contact Ra ≤ 1.6 µm

Optional

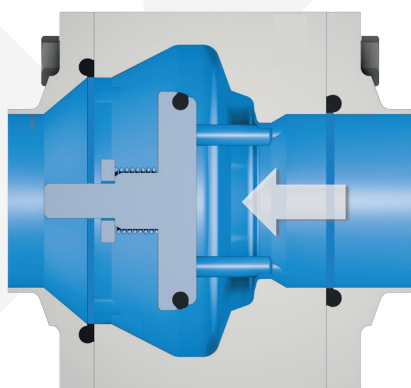
High-quality surface finish, electro-polished

CONNECTIONS

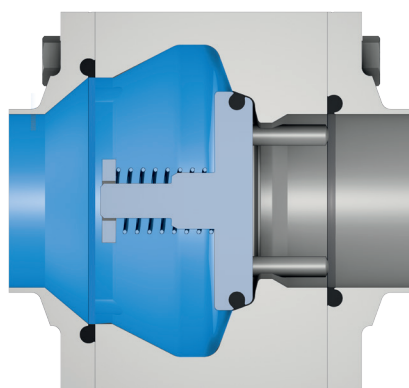
DN 10-150
DIN 11850-2 (DIN 11866 Reihe A)

OD 0.5"-6.0"
ASTM A270 (ASME BPE-2009 /
DIN 11866-C)

FUNCTIONALITY



Valve position: open



Valve position: closed



PENTAIR SÜDMO GMBH

INDUSTRIESTRASSE 7, 73469 RIESBÜRG, GERMANY WWW.SUEDMO.DE

All Pentair trademarks and logos are owned by Pentair. All other brand or product names are trademarks or registered marks of their respective owners. Because we are continuously improving our products and services, Pentair reserves the right to change specifications without prior notice.

Pentair is an equal opportunity employer.

ID-No.: 2222511 - Non-Return Valves E-1 /15 © 2015 Pentair - All Rights Reserved.